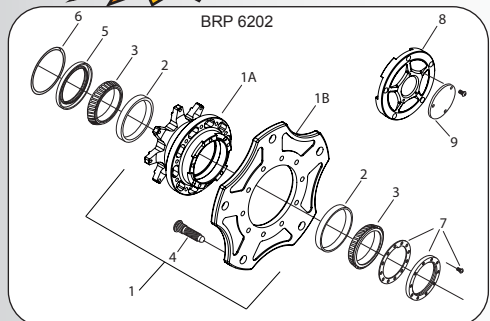


HUBS & DRIVE FLANGES

REAR LARGE BEARING HUBS

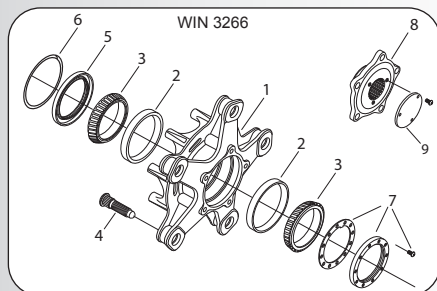
NEW PRODUCT



BRP Large Bearing Rear Hub

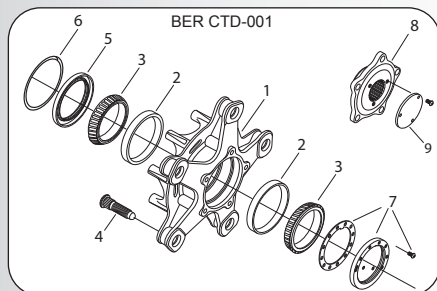
DESCRIPTION	RED P/N	BLACK P/N
1 Rear Hub Assembly (includes races & studs) - Red Anodized	BRP 6202	BRP 6202BK
1A Replacement Large Bearing Hub Only - Red Anodized	BRP 6202A	BRP 6202ABK
1B Replacement Adaptor Plate Only - Red Anodized	BRP 6201B	BRP 6201BBK
2 Replacement Inner or Outer Race		BRP 6222
3 Inner or Outer Bearing		BRP 6224
4 Replacement Wheel stud		BRP 2060
5 Inner Seal (BRP / WINTERS / BERT / DMI / TIGER - no sleeve)		BRP 6225
6 Inner Seal (Some Winters / DMI with sleeve)		WIN 7289V
7 Inner Seal Snap Ring		BRP 6223
8 Locking Nut Assembly		BRP 6230
9 BRP Aluminum Drive Flange (includes bolts) - Black Anodized		BRP 6202D
Replacement Center Cap		BRP 349

Winters Large Bearing Rear Hub



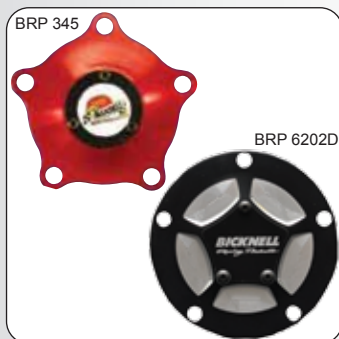
DESCRIPTION	P/N
1 Rear Hub Assembly (includes races & studs)	WIN 3266
2 Replacement Inner or Outer Race - WINTERS ONLY	WIN 8658-2
3 Inner or Outer Bearing - WINTERS ONLY	WIN 8658-1
4 Replacement Wheel stud	BRP 2059
5 Inner Seal (BRP / WINTERS / BERT / DMI / TIGER - no sleeve)	WIN 6225
5 Inner Seal (Some Winters / DMI with Sleeve)	WIN 7289V
6 Inner Seal Snap Ring	BRP 6223
7 Locking Nut Assembly	BRP 6230
8 BRP Aluminum Drive Flange (includes bolts) - Red Anodized	BRP 345
8 BRP Aluminum Drive Flange (includes bolts) - Black Anodized	BRP 345BK
9 Replacement Center Cap	BRP 122

Bert Large Bearing Rear Hub



DESCRIPTION	P/N
1 Rear Hub Assembly (includes races & studs)	BER CTD-001
2 Replacement Inner or Outer Race	BRP 6222
3 Inner or Outer Bearing	BRP 6224
4 Replacement Wheel stud	BRP 2059
5 Inner Seal (BRP / WINTERS / BERT / DMI / TIGER - no sleeve)	BRP 6225
5 Inner Seal (Some Winters / DMI with sleeve)	WIN 7289V
6 Inner Seal Snap Ring	BRP 6223
7 Locking Nut Assembly	BRP 6230
8 BRP Aluminum Drive Flange (includes bolts) - Red anodized	BRP 345
8 BRP Aluminum Drive Flange (includes bolts) - Black Anodized	BRP 345BK
9 Replacement Center Cap	BRP 122

REAR LARGE BEARING DRIVE FLANGES



NEW PRODUCT

COLOR	DESCRIPTION	P/N
Red	BRP 5 Bolt Large Bearing Drive Flange with Bolts and Cap	BRP 345
Black	BRP 5 Bolt Large Bearing Drive Flange with Bolts and Cap	BRP 345BK
Black	BRP 5 Bolt Flank Drive Flange for BRP 6202 Hub with Bolts and Cap	BRP 6202D
	Replacement Bolt Kit for BRP 345 Drive Flanges	BRP 346
Black	Replacement Cap for BRP 345 & BRP 345BK	BRP 122
Black	Replacement Cap for BRP 6202D	BRP 349

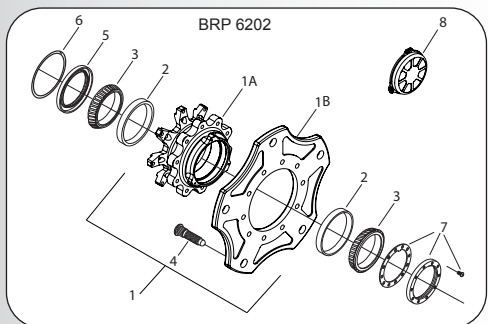
LARGE BEARING LOCK NUT AND WRENCH



DESCRIPTION	P/N
Adjuster Nut Wrench	BRP 6231
Locking Spindle Nut Assembly	BRP 6230
Replacement Tab Washer	BRP 6227
Replacement Spindle Nut	BRP 6229
Replacement Screw and Washer	BRP 6228

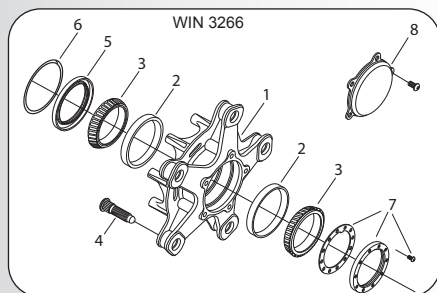
LARGE BEARING FRONT HUBS

BRP Large Bearing Front Hub



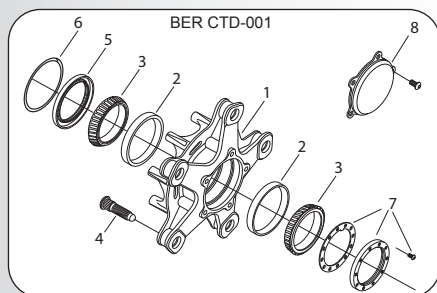
DESCRIPTION		P/N
1	Front Hub Assembly (includes races, studs, & dust cap) Red Anodized	BRP 6203
1A	Replacement Front Large Bearing Hub Only - Red Anodized	BRP 6203A
1B	Replacement Adaptor Plate - Red Anodized	BRP 6201B
1	Front Hub Assembly (includes races, studs, & dust cap) Black Anodized	BRP 6203BK
1A	Replacement Front Large Bearing Hub Only - Black Anodized	BRP 6203ABK
1B	Replacement Adaptor Plate - Black Anodized	BRP 6201BBK
2	Replacement Inner or Outer Race	BRP 6222
3	Inner or Outer Bearing	BRP 6224
4	Replacement Wheel stud	BRP 2060
5	Inner Seal	BRP 6225
6	Inner Seal Snap Ring	BRP 6223
7	Locking Nut Assembly	BRP 6230
8	BRP Aluminum Dust Cap (includes bolts) - Black Anodized	BRP 6203C

Winters Large Bearing Front Hub



DESCRIPTION		P/N
1	Front Hub Assembly (includes studs and races)	WIN 3266F
2	Inner or Outer Race	WIN 8658-2
3	Inner or Outer Bearing	WIN 8658-1
4	Replacement Wheel stud	BRP 2059
5	Inner Seal (BRP and BERT Spindles)	BRP 6225
5	Inner Seal (WINTERS Spindles)	WIN 7289V
6	Inner Seal Snap Ring	BRP 6223
7	Locking Nut Assembly	BRP 6230
8	BRP Aluminum Dust Cap (includes bolts) - Red Anodized	BRP 6226
8	BRP Aluminum Dust Cap (includes bolts) - Black Anodized	BRP 6226BK

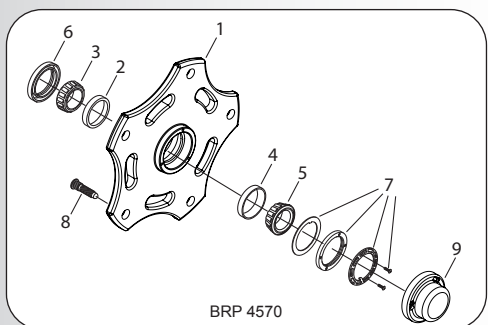
Bert Large Bearing Front Hub



DESCRIPTION		P/N
1	Front Hub Assembly (includes studs and races)	BER CTD-NYM-H01
2	Inner or Outer Race	BRP 6222
3	Inner or Outer Bearing	BRP 6224
4	Replacement Wheel stud	BRP 2059
5	Inner Seal	BRP 6225
6	Inner Seal Snap Ring	BRP 6223
7	Locking Nut Assembly	BRP 6230
8	BRP Aluminum Dust Cap (includes bolts) - Red Anodized	BRP 6226
8	BRP Aluminum Dust Cap (includes bolts) - Black Anodized	BRP 6226BK

BRP WIDE 5 MODIFIED FRONT HUB

BRP Wide 5 Front Hub



DESCRIPTION		P/N
1	Front Hub Assembly (includes races, studs, rotor bolts & dust cap) Red Anodized	BRP 4570
1	Front Hub Assembly (includes races, studs, rotor bolts & dust cap) Black Anodized	BRP 4570BK
2	Replacement Inner Race	BRP 826
3	Inner Bearing	BRP 828
4	Replacement Outer Race	BRP 827
5	Outer Bearing	BRP 829
6	Inner Seal	BRP 835
7	Locknut Assembly	BRP 831L
8	Replacement Stud	BRP 2060
9	Replacement Dust Cap	BRP 4571

SEE PAGE 20 FOR SPINDLE APPLICATIONS

LIVE AXLE HUBS



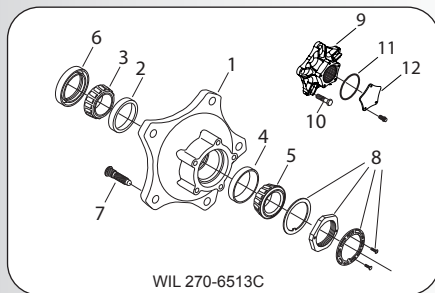
DESCRIPTION	P/N
Standard Spline Billet Aluminum Dirt Hub	BRP 4306
Tight Spline Billet Aluminum Asphalt Hub (common in Super Modified applications)	BRP 4307

SEE PAGE 152 FOR LIVE AXLE SPACERS AND NUTS

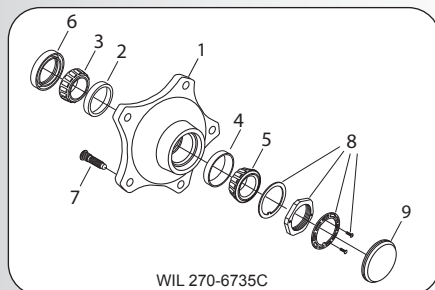
HUBS & DRIVE FLANGES

WILWOOD STARLIGHT 55 HUBS

5 Bolt Wide 5 Aluminum Hub



DESCRIPTION	P/N
1 Rear Hub Assembly (includes races & studs)	WIL 270-6513C
2 Replacement Inner Race	BRP 115
3 Inner Bearing	BRP 117
4 Replacement Outer Bearing	BRP 116
5 Outer Bearing	BRP 118
6 Inner Seal	BRP 114
7 Replacement Wheel stud	BRP 2059
8 Locking Nut Assembly	BRP 320
9 Red BRP Aluminum Drive Flange (includes bolts)	BRP 348
9 Black BRP Aluminum Drive Flange (includes bolts)	BRP 348BK
9 Wilwood Plain Aluminum Drive Flange (includes bolts)	WIL 270-6733
10 5 Bolt Drive Flange Bolt Kit	BRP 348B
11 Replacement O Ring for BRP Drive Flange	BRP 348S
12 Replacement Cap for BRP Drive Flange	BRP 349

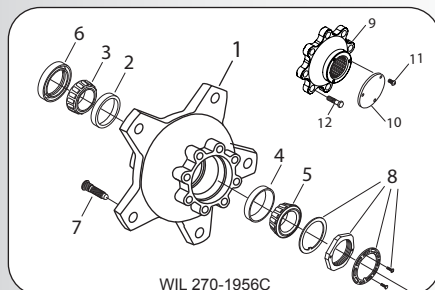


Front Wide 5 Aluminum Hub

DESCRIPTION	P/N
1 Front Hub Assembly (includes races, studs, & dust cap)	WIL 270-6735C
2 Replacement Inner Race	BRP 115
3 Inner Bearing	BRP 117
4 Replacement Outer Bearing	BRP 116
5 Outer Bearing	BRP 118
6 Inner Seal	BRP 114
7 Replacement Wheel stud	BRP 2059
8 Locking Nut Assembly	BRP 320
9 Replacement Hub Dust Cap	WIL 270-6913

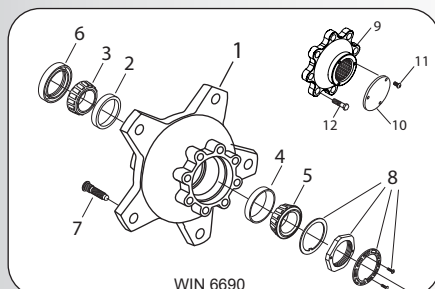
WIDE 5 HUBS

Wilwood Wide 5 Aluminum Hub



DESCRIPTION	P/N
1 Rear Hub Assembly (includes races & studs)	WIL 270-1956C
2 Replacement Inner Race	BRP 115
3 Inner Bearing	BRP 117
4 Replacement Outer Bearing	BRP 116
5 Outer Bearing	BRP 118
6 Inner Seal	BRP 114
7 Replacement Wheel stud	BRP 2059
8 Locking Nut Assembly	BRP 320
9 Red BRP Aluminum Drive Flange	BRP 343
9 Black BRP Aluminum Drive Flange	BRP 343BK
9 Blue BRP Aluminum Drive Flange	BRP 343BL
10 Replacement Drive Flange Cap with O-ring	BRP 122
11 Replacement Drive Flange Bolt (sold each)	BOL 10240502C
12 Drive Flange Bolt Kit (includes bolts and lock washers)	BRP 339

Winters Wide 5 Aluminum Hub



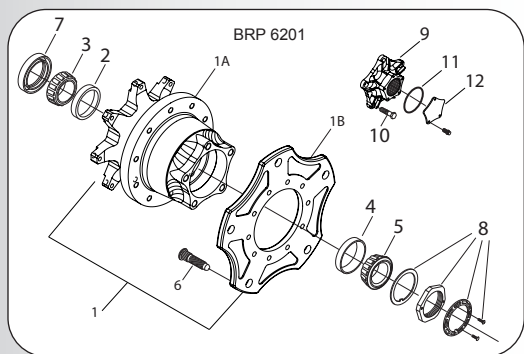
DESCRIPTION	P/N
1 Rear Hub Assembly (includes races & studs)	WIN 6690
2 Replacement Inner Race	BRP 115
3 Inner Bearing	BRP 117
4 Replacement Outer Bearing	BRP 116
5 Outer Bearing	BRP 118
6 Inner Seal	BRP 114
7 Replacement Wheel stud	BRP 2059
8 Locking Nut Assembly	BRP 320
9 Red BRP Aluminum Drive Flange	BRP 343
9 Black BRP Aluminum Drive Flange	BRP 343BK
9 Blue BRP Aluminum Drive Flange	BRP 343BL
10 Replacement Drive Flange Cap with O-ring	BRP 122
11 Replacement Drive Flange Bolt (sold each)	BOL 10240502C
12 Drive Flange Bolt Kit (includes bolts and lock washers)	BRP 339

HUBS & DRIVE FLANGES

BRP WIDE 5 BILLET HUB

Wide 5 Billet Hub

NEW PRODUCT



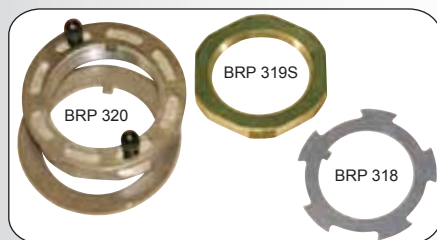
DESCRIPTION	P/N
1 Wide 5 Hub Assembly (includes races & studs) - Red Anodized	BRP 6201
1A Replacement Wide 5 Hub Only - Red Anodized	BRP 6201A
1B Replacement Adaptor Plate - Red Anodized	BRP 6201B
1 Wide 5 Hub Assembly (includes races & studs) - Black Anodized	BRP 6201BK
1A Replacement Wide 5 Hub Only - Black Anodized	BRP 6201ABK
1B Replacement Adaptor Plate - Black Anodized	BRP 6201BBK
-- Optional Dust Cap	BRP 6201C
2 Replacement Inner Race	BRP 115
3 Inner Bearing	BRP 117
4 Replacement Outer Race	BRP 116
5 Outer Bearing	BRP 118
6 Replacement Wheel stud	BRP 2060
7 Inner Seal	BRP 114
8 Locking Nut Assembly	BRP 320
9 BRP Red Aluminum Drive Flange	BRP 348
9 BRP Black Aluminum Drive Flange	BRP 348BK
10 5 Bolt Drive Flange Bolt Kit	BRP 348B
11 Replacement O-Ring for Drive Flange	BRP 348S
12 Replacement Cap for BRP Drive Flange	BRP 349

WIDE 5 BEARINGS & SEALS



DESCRIPTION	P/N
Wide 5 Bearing Assembly (includes seal, inner & outer bearing, and BRP 320 Lock Nut)	BRP 113
Wide 5 Inner Seal	BRP 114
Wide 5 Inner Race	BRP 115
Wide 5 Outer Race	BRP 116
Wide 5 Inner Bearing	BRP 117
Wide 5 Outer Bearing	BRP 118
REM Finish Wide 5 Inner Race	WIN 7322REM
REM Finish Wide 5 Outer Race	WIN 7323REM
REM Finish Wide 5 Inner Bearing	WIN 7324REM
REM Finish Wide 5 Outer Bearing	WIN 7325REM
Seals-It Inner Hub Seal (keeps cast hubs from filling with oil)	SEA HS2001

WIDE 5 SPINDLE NUTS



DESCRIPTION	P/N
Wide 5 Aluminum Locking Spindle Nut Assembly (includes aluminum nut, 2 washers, and bolts)	BRP 320
2 Replacement Lock Washers and Bolts Only	BRP 320W
Replacement Inner Solid Washer Only	BRP 320W-1
Replacement Outer Slotted Washer Only	BRP 320W-2
Narrow Steel Nut Only (2 Required)	BRP 319S
Narrow Aluminum Nut Only (2 Required)	BRP 319
Steel Tab Washer for BRP 319S	BRP 318

GN BEARINGS & SEALS



DESCRIPTION	P/N
Spindle Inner Seal	BRP 804-3
Hub Seal	BRP 804-2
Inner and Outer Race	BRP 804
Inner and Outer Bearing	BRP 804-1
LH Spindle Nut	BRP 804-6
RH Spindle Nut	BRP 804-5
Locking Tab Washer	BRP 804-4

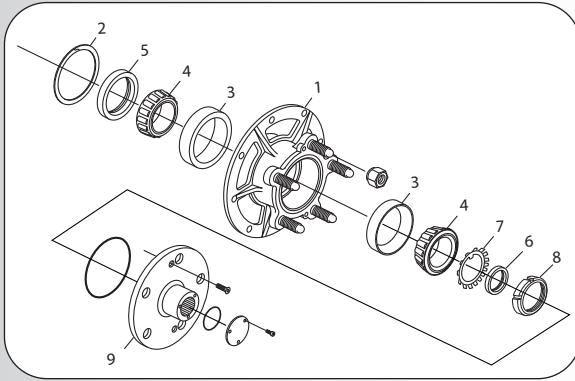
SPINDLE NUT WRENCHES



DESCRIPTION	P/N
Large Bearing Locking Nut Adjuster Wrench	BRP 6231
Wide 5 Locking Nut Adjuster Wrench	BRP 317A
Grand National Locking Nut Adjuster Wrench	COL 850-002

HUBS & DRIVE FLANGES

5 on 5" / 5 on 4 3/4" HUBS



DESCRIPTION	5 on 5"	5 on 4 3/4"
1 5 on 5" Coarse Hub Assembly (includes studs & races)	WIN 2255C	WIN 2566C
2 Replacement Retaining Ring	WIN 7644	WIN 7644
3 Replacement Inner and Outer Race	BRP 804	BRP 804
4 Inner or Outer Bearing	BRP 804-1	BRP 804-1
5 Inner Hub Seal	BRP 804-2	BRP 804-2
6 Spindle Seal	BRP 804-3	BRP 804-3
7 Tab Washer	BRP 804-4	BRP 804-4
8 Left Hand Thread Spindle Nut	BRP 804-6	BRP 804-6
8 Right Hand Thread Spindle Nut	BRP 804-5	BRP 804-5
9 Drive Flange (includes cap and bolts)	WIN 1680	WIN 1680-475

DRIVE FLANGES



DESCRIPTION P/N
Steel 3/4 Ton Drive Flange BRP 121



DESCRIPTION P/N
Red LW Aluminum Wide 5 BRP 343
Black LW Aluminum Wide 5 BRP 343BK



DESCRIPTION P/N
Red Large Bearing Wide 5 BRP 345
Black Large Bearing Wide 5 BRP 345BK



DESCRIPTION P/N
Aluminum Mod Lite Drive Flange - 4 on 4 1/2" BRP 347



DESCRIPTION P/N
Red LW Aluminum 5 Bolt BRP 348
Black LW Aluminum 5 Bolt BRP 348BK



DESCRIPTION P/N
Aluminum GN Drive Flange BRP 805



DESCRIPTION P/N
Aluminum Drive Flange for BRP 6202 Hub BRP 6202D

LATE MODEL IMPALA STEEL HUBS

'70-'72 Impala and Howe Spindles



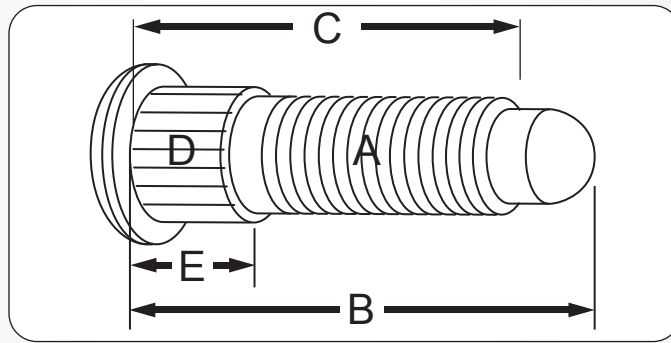
DESCRIPTION	P/N
Impala Hub Assembly (includes 8 on 7" rotor adaptor, races, & 5/8" C studs)	BRP 861C
Inner Seal	BRP 853
Outer Wheel Bearing Reducer Bushing	BRP 854
Inner Wheel Bearing	BRP 828-1
Outer Wheel Bearing	BRP 829
Dust Cap	BRP 814
Optional Bullet Style Dust Cap	BRP 814B
Replacement Coarse Thread Wheel Stud (sold each)	BRP 2075
Replacement Fine Thread Wheel Stud (sold each)	BRP 2061
Replacement Inner Race	BRP 826
Replacement Outer Race	BRP 827

MINI 3/4 TON HUBS



DESCRIPTION	P/N
Mini 3/4 Ton Steel Hub (includes 5/8" C studs, & races)	BRP 108C
Mini 3/4 Ton Aluminum Hub (includes 5/8" C studs, & races)	BRP 108AC
Steel Drive Flange (will fit both steel and aluminum hub)	BRP 121
Aluminum Drive Flange (will fit both steel and aluminum hub)	BRP 805
Aluminum Rotor 8 on 7" (required for steel and aluminum hubs)	BRP 109
Inner Bearing	BRP 117
Outer Bearing	BRP 118
Hub Seal	BRP 114
Spindle Lock Nut Assembly	BRP 320
Replacement Outer Race	BRP 116
Replacement Inner Race	BRP 117
Quick Start Locator Cap for BRP 805 Drive Flange	BRP 805-1
Quick Start Locator Cap for BRP 121 Drive Flange	BRP 124
Replacement 5/8" C Stud	BRP 2075

WHEEL STUDS

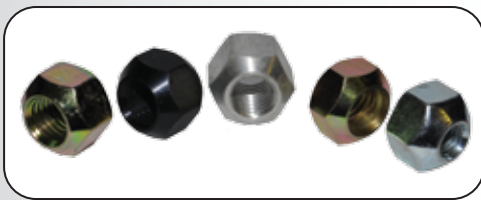


A - THREAD	B - LENGTH	C - LENGTH	D - SPLINE	E - SPLINE LENGTH	DRILL SIZE	DESCRIPTION	P/N
7/16"F	2 7/8"	2 7/8"	.480"	.450"	29/64"	Rear Chevy	BRP 2063
7/16"F	2 7/8"	2 7/8"	.560"	.300"	35/64"	Front Chevy	BRP 2064
1/2"F	3"	3"	.685"	.400"	43/64"		BRP 2066
1/2"F	3"	3"	.615"	.400"	19/32"		BRP 2065
1/2"F	1 3/4"	1 5/8"	.615"	.400"	19/32"	T.Q. Hubs	BRP 2932
5/8"F	2 3/4"	2 1/8"	.685"	.400"	43/64"		BRP 2073
5/8"F	3"	2 11/16"	.685"	.450"	43/64"	Front G.N. hubs & BRP 108	BRP 2062
5/8"F	2 3/4"	2"	.685"	.800"	43/64"	Wide 5 Hubs	BRP 2061
5/8"C	2 1/4"	1 3/4"	.685"	.400"	43/64"	Wheel Adaptor plates	BRP 2060
5/8"C	2"	1 3/8"	.500"	---	---	Threaded for 6 Pin Hubs	BRP 833
5/8"C	1 7/8"	---	.685"	.800"	43/64"	1" Wheel Spacer	BRP 2058
5/8"C	2 3/4"	2 1/8"	.685"	.800"	43/64"	Wide 5 Hubs	BRP 2059
5/8"C	2 3/4"	2 1/8"	.685"	.400"	43/64"		BRP 2072
5/8"C	3 3/4"	3 1/8"	.685"	.800"	43/64"		BRP 2075
5/8"C	3"	2 1/2"	.685"	.450"	43/64"	Oval Head	BRP 2078
5/8"C	3"	2 1/2"	.685"	.400"	43/64"	Machined Short Spline	BRP 2077
12mm X 1.5mm	1 1/2"	1 1/2"	.545"	.425"	17/32"	Metric	BRP 2057

DESCRIPTION	P/N
5/8"C wheel stud and lug nut kit (includes 20- BRP 2051, & 20- BRP 2072)	BRP 2072KIT

DESCRIPTION	P/N
43/64" Drill Bit (sold each)	BRT D4364
29/64" Drill Bit (sold each)	BRT D2964
17/32" Drill Bit (sold each)	BRT D1732
35/64" Drill Bit (sold each)	BRT D3564
19/32" Drill Bit (sold each)	BRT D1932

WHEEL NUTS



THREAD SIZE	STEEL		ALUMINUM	
	SINGLE SIDED	DOUBLE SIDED	SINGLE SIDED	DOUBLE SIDED
7/16"F	BRP 2054			
1/2" F	BRP 2055			
5/8"F	BRP 2050		BRP 2050A	
5/8"C	BRP 2051	BRP 2051D	BRP 2051A	BRP 2051AD
12mm X 1.5	BRP 2056			

DESCRIPTION	P/N
Spring Loaded Steel Lug Nuts (sold in packs of 5)	ALL 44108
Replacement spring and Screw (sold in packs of 5)	ALL 44109

NEW PRODUCT

ALL 10240



BRP 2044

PIT SOCKETS

DESCRIPTION	P/N
.900" Deep Hard Coated Pit Socket with Spring	BRP 2044
Replacement Spring for BRP 2044	BRP 2046
12" Pit Socket with 1 piece extension	ALL 10240