

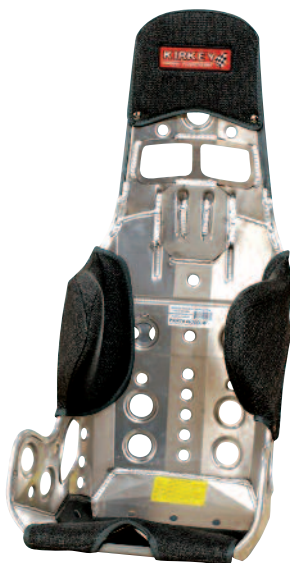
## 10° UPRIGHT ALUMINUM SEATS

### Deluxe Sprint & Oval Track 10°

SIZE	P/N
14"	KIR56100
15"	KIR56300
16"	KIR56500
17"	KIR56700
18"	KIR56900

### Deluxe Sprint Seats and Covers

DESCRIPTION	P/N
14" sprint deluxe 10 deg. - double rib support seat	KIR56100
Full black cloth cover for 56100 and 56100LW	KIR56111
Black cloth LW cover for 13" to 14" 56 and 58 series seat	KIR58111LW
Red cloth LW cover for 13" to 14" 56 and 58 series seat	KIR58112LW
Blue cloth LW cover for 13" to 14" 56 and 58 series seat	KIR58119LW
15" sprint deluxe 10 deg. - double rib support seat	KIR56300
Full black cloth cover for 56300 and 56300LW	KIR56311
Black cloth LW cover for 14-1/2" to 15-1/2" 56 and 58 series seat	KIR58311LW
Red cloth LW cover for 14-1/2" to 15-1/2" 56 and 58 series seat	KIR58312LW
Blue cloth LW cover for 14-1/2" to 15-1/2" 56 and 58 series seat	KIR58319LW
16" sprint deluxe 10 deg. - double rib support seat	KIR56500
Full black cloth cover for 56500 and 56500LW	KIR56511
Black cloth LW cover for 16" to 17" 56 and 58 series seat	KIR58511LW
Red cloth LW cover for 16" to 17" 56 and 58 series seat	KIR58512LW
Blue cloth LW cover for 16" to 17" 56 and 58 series seat	KIR58519LW
17" sprint deluxe 10 deg. - double rib support seat	KIR56700
Full black cloth cover for 56700 and 56700LW	KIR56711
Black cloth LW cover for 16" to 17" 56 and 58 series seat	KIR58511LW
Red cloth LW cover for 16" to 17" 56 and 58 series seat	KIR58512LW
Blue cloth LW cover for 16" to 17" 56 and 58 series seat	KIR58519LW
18" sprint deluxe 10 deg. - double rib support seat	KIR56900
Full black cloth cover for 56900	KIR56911



Double Rib Supports  
10 Degree

### Lightweight Deluxe 10°

SIZE	P/N
14"	KIR56100LW
15"	KIR56300LW
16"	KIR56500LW
17"	KIR56700LW

#### Features:

- .080" thick, 5052 grade aluminum
- Aluminum extrusion around perimeter of seat edge and belt openings
- Reinforced head support
- High density foam on rib supports
- 15" version - 12 lbs.

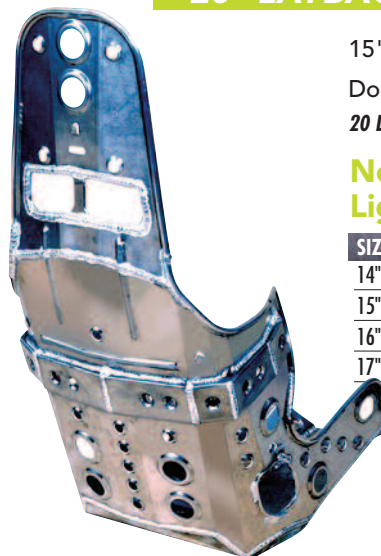


Double Rib Supports  
10 Degree

#### Features:

- .081" thick, 5052 grade aluminum
- Rib support brace
- Aluminum extrusion around the seat edge for added strength
- Built in rib support brace
- 15" version - 15 lbs.

## 20° LAYBACK SEAT



15" version only 10 lbs.  
Double Rib Supports  
20 Degree

### New Lightweight Deluxe

SIZE	P/N
14"	KIR58100LW
15"	KIR58300LW
16"	KIR58500LW
17"	KIR58700LW

### Lightweight Layback Seats and Covers 20°

DESCRIPTION	P/N
14" deluxe LW 20 deg. - double rib support seat	KIR58100LW
Black cloth LW cover for 13" to 14" 56 and 58 series seat	KIR58111LW
Red cloth LW cover for 13" to 14" 56 and 58 series seat	KIR58112LW
Blue cloth LW cover for 13" to 14" 56 and 58 series seat	KIR58119LW
15" deluxe LW 20 deg. - double rib support seat	KIR58300LW
Black cloth LW cover for 14-1/2" to 15-1/2" 56 and 58 series seat	KIR58311LW
Red cloth LW cover for 14-1/2" to 15-1/2" 56 and 58 series seat	KIR58312LW
Blue cloth LW cover for 14-1/2" to 15-1/2" 56 and 58 series seat	KIR58319LW
16" deluxe LW 20 deg. - double rib support seat	KIR58500LW
Black cloth LW cover for 16" to 17" 56 and 58 series seat	KIR58511LW
Red cloth LW cover for 16" to 17" 56 and 58 series seat	KIR58512LW
Blue cloth LW cover for 16" to 17" 56 and 58 series seat	KIR58519LW
17" deluxe LW 20 deg. - double rib support seat	KIR58700LW
Black cloth LW cover for 16" to 17" 56 and 58 series seat	KIR58511LW
Red cloth LW cover for 16" to 17" 56 and 58 series seat	KIR58512LW
Blue cloth LW cover for 16" to 17" 56 and 58 series seat	KIR58519LW

## SEAT ACCESSORIES

### Head Supports

DESCRIPTION	RIGHT P/N	LEFT P/N
Head Support	<b>KIR00100</b>	<b>KIR00200</b>
• Vinyl Cover		
Black	<b>KIR00101</b>	<b>KIR00201</b>
• Cloth Cover		
Black	<b>KIR00111</b>	<b>KIR00211</b>
Red	<b>KIR00112</b>	<b>KIR00212</b>
Gray	<b>KIR00117</b>	<b>KIR00217</b>
Blue	<b>KIR00119</b>	<b>KIR00219</b>

### Shoulder Supports

DESCRIPTION	RIGHT P/N	LEFT P/N
Shoulder Support	<b>KIR00500</b>	<b>KIR00600</b>
• Vinyl Cover		
Black	<b>KIR00501</b>	<b>KIR00601</b>
• Cloth cover		
Black	<b>KIR00511</b>	<b>KIR00611</b>
Red	<b>KIR00512</b>	<b>KIR00612</b>
Gray	<b>KIR00517</b>	<b>KIR00617</b>
Blue	<b>KIR00519</b>	<b>KIR00619</b>

### Leg Supports

DESCRIPTION	RIGHT P/N	LEFT P/N
Leg Support	<b>KIR00300</b>	<b>KIR00400</b>
• Vinyl cover		
Black	<b>KIR00301</b>	<b>KIR00401</b>
• Cloth cover		
Black	<b>KIR00311</b>	<b>KIR00411</b>
Red	<b>KIR00312</b>	<b>KIR00412</b>
Gray	<b>KIR00317</b>	<b>KIR00417</b>
Blue	<b>KIR00319</b>	<b>KIR00419</b>

Add LW to part # for lightweight seats

### Head Support

### Shoulder Support



### Leg Support

### Tubular Head Restraint

DESCRIPTION	P/N
Black cloth	<b>KIR98811</b>
Red cloth	<b>KIR98812</b>
Blue cloth	<b>KIR98819</b>

### Short Head Restraint

DESCRIPTION	P/N
Black vinyl	<b>KIR98701-S</b>
Black cloth	<b>KIR98711-S</b>
Red cloth	<b>KIR98712-S</b>
Purple cloth	<b>KIR98716-S</b>
Gray cloth	<b>KIR98717-S</b>
Blue cloth	<b>KIR98719-S</b>



### Lumbar Support

**KIR99020**



### Sprint and Midget Leg Protector



- Lightweight aluminum formed to surround center steering unit
- Bead rolled for extra strength
- Fire retardant foam eliminates bulky cover

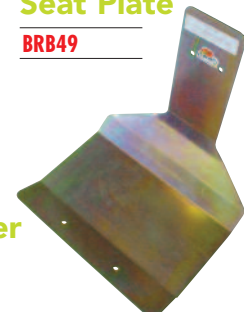
### CENTER LEG PROTECTOR

**KIR99500**

## STEEL SEAT SUPPORT

### Seat Plate

**BRB49**



### 1" Seat Spacer

**MFGCHA131**

### 1-1/2" Seat Spacer

**MFGCHA132**

## LAYBACK ALUMINUM SEATS

### Intermediate 20° Layback Double Rib Support

SIZE	P/N
14"	<b>KIR36100</b>
15"	<b>KIR36300</b>
16"	<b>KIR36500</b>
17"	<b>KIR36700</b>
18"	<b>KIR36900</b>

#### Features:

- .125" thick, 5052 grade aluminum
- Aluminum Extrusion around perimeter of seat edge
- Reinforced head support
- High density foam on rib support and contoured bottom foam



### Intermediate 20 Degree Oval Track Seats and Covers

DESCRIPTION	P/N
14" intermediate 20 deg. - double rib support seat	<b>KIR36100</b>
Black vinyl cover for 36100 and 39100	<b>KIR36101</b>
Black cloth cover for 36100 and 39100	<b>KIR36111</b>
Red cloth cover for 36100 and 39100	<b>KIR36112</b>
Blue cloth cover for 36100 and 39100	<b>KIR36119</b>
15" intermediate 20 deg. - double rib support seat	<b>KIR36300</b>
Black vinyl cover for 36300 and 39300	<b>KIR36301</b>
Black cloth cover for 36300 and 39300	<b>KIR36311</b>
Red cloth cover for 36300 and 39300	<b>KIR36312</b>
Blue cloth cover for 36300 and 39300	<b>KIR36319</b>
16" intermediate 20 deg. - double rib support seat	<b>KIR36500</b>
Black vinyl cover for 36500 and 39500	<b>KIR36501</b>
Black cloth cover for 36500 and 39500	<b>KIR36511</b>
Red cloth cover for 36500 and 39500	<b>KIR36512</b>
Blue cloth cover for 36500 and 39500	<b>KIR36519</b>
17" intermediate 20 deg. - double rib support seat	<b>KIR36700</b>
Black vinyl cover for 36700 and 39700	<b>KIR36701</b>
Black cloth cover for 36700 and 39700	<b>KIR36711</b>
Red cloth cover for 36700 and 39700	<b>KIR36712</b>
Blue cloth cover for 36700 and 39700	<b>KIR36719</b>
18" intermediate 20 deg. - double rib support seat	<b>KIR36900</b>
Black vinyl cover for 36900 and 39900	<b>KIR36901</b>
Black cloth cover for 36900 and 39900	<b>KIR36911</b>
Red cloth cover for 36900 and 39900	<b>KIR36912</b>
Blue cloth cover for 36900 and 39900	<b>KIR36919</b>

### Economy 20° Layback Double Rib Support Seats and Covers

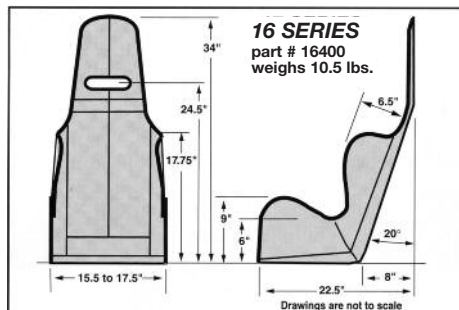
DESCRIPTION	P/N
15-1/2" economy 20 deg. - layback-double rib support seat	<b>KIR09400</b>
Black nylon cover for 09400, 19400, 09200 and 19200	<b>KIR09431</b>
Red nylon cover for 09400, 19400, 09200 and 19200	<b>KIR09432</b>
Blue nylon cover for 09400, 19400, 09200 and 19200	<b>KIR09433</b>
17-1/2" economy 20 deg. - layback-double rib support seat	<b>KIR09800</b>
Black nylon cover for 09800 and 19800	<b>KIR09831</b>
Red nylon cover for 09800 and 19800	<b>KIR09832</b>
Blue nylon cover for 09800 and 19800	<b>KIR09833</b>

#### Features:

- .125" thick, 5052 grade aluminum
- Rubber molding around perimeter of seat edge
- Reinforced head support
- High density foam on rib supports and bottom
- All Economy Seats will only have nylon covers Available in black, red, blue



## DRAG ALUMINUM SEATS

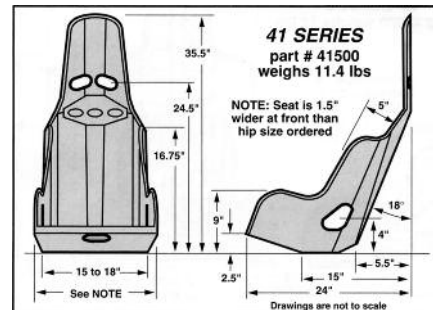


#### Features:

- .125" thick, 5052 grade MIG welded aluminum
- Headrest is reinforced with Kirkey's unique tubular rolled edge
- Seat sides are lowered for lap belts shoulder and submarine belt opening are standard

#### Features:

- .100" thick, 5052 grade MIG welded alum
- Headrest is reinforced with Kirkey's unique tubular rolled edge
- Seat bottom is contoured to support lower back and hips



### Economy Drag Seats

SIZE	P/N
15-1/2"	<b>KIR16400</b>
17-1/2"	<b>KIR16800</b>

### Nylon Seat Covers

SUFFIX	COLOR
31	Black
32	Red
33	Blue

### Pro Street Drag Seats

SIZE	P/N
15"	<b>KIR41300</b>
16"	<b>KIR41500</b>
17"	<b>KIR41700</b>
18"	<b>KIR41900</b>

### Cloth Seat Covers

SUFFIX	COLOR
11	Black

#### Features:

- Cloth fabric
- Extra thick, high density foam padding on the bottom to support thighs

## OPEN WHEEL FULL CONTAINMENT SEAT

### 66000 Series

**DESIGNED FOR OVAL TRACK:  
SPRINTS & D.I.R.T. MODIFIED**

#### FEATURES

- Unique design makes adjustment possible
- Available in three different height configurations (short, regular, tall)
- Available in 14" to 17" hip widths
- Integrated tubular head and shoulder restraints with energy absorbing impact foam
- Designed to accommodate all head and neck restraint systems

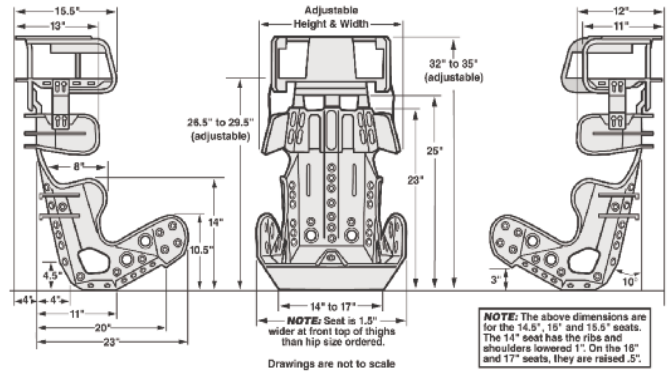


Shown with optional leg extensions (KIR11700)

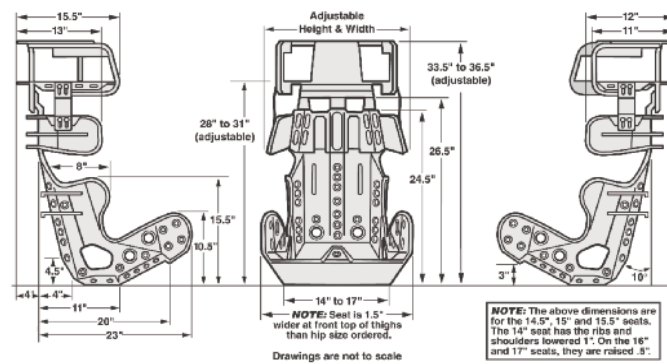
### Kirkey 66 series seat

DESCRIPTION	P/N
14" open wheel full containment seat-short	KIR66100-S
Black cover for 66100-S	KIR66111-S
14" open wheel full containment seat	KIR66100
Black cover for 66100	KIR66111
14" open wheel full containment seat-tall	KIR66100-T
Black cover for 66100-T	KIR66111-T
14-1/2" open wheel full containment seat-short	KIR66200-S
Black cover for 66200S	KIR66211-S
14-1/2" open wheel full containment seat	KIR66200
Black cover for 66200	KIR66211
14-1/2" open wheel full containment seat-tall	KIR66200-T
Black cover for 66200T	KIR66211-T
15" open wheel full containment seat-short	KIR66300-S
Black cover for 66200-S	KIR66311-S
15" open wheel full containment seat	KIR66300
Black cover for 66200	KIR66311
15" open wheel full containment seat-tall	KIR66300-T
Black cover for 66200-T	KIR66311-T
15-1/2" open wheel full containment seat-short	KIR66400-S
Black cover for 66400S	KIR66411-S
15-1/2" open wheel full containment seat	KIR66400
Black cover for 66400	KIR66411
15-1/2" open wheel full containment seat-tall	KIR66400-T
Black cover for 66400-T	KIR66411-T
16" open wheel full containment seat-short	KIR66500-S
Black cover for 66500-S	KIR66511-S
16" open wheel full containment seat	KIR66500
Black cover for 66500	KIR66511
16" open wheel full containment seat-tall	KIR66500-T
Black cover for 66500-T	KIR66511-T
17" open wheel full containment seat-short	KIR66700-S
Black cover for 66700-S	KIR66711-S
17" open wheel full containment seat	KIR66700
Black cover for 66700	KIR66711
17" open wheel full containment seat-tall	KIR66700-T
Black cover for 66700-T	KIR66711-T

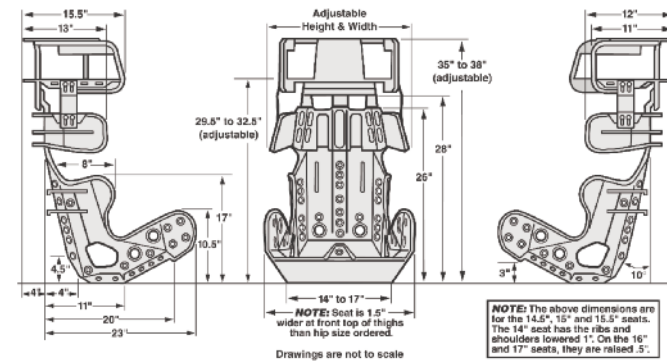
With Tubular Head and Shoulder Restraints



KIR66300-S (Short)



KIR66300 (Regular)



KIR66300-T (Tall)

### Aluminum Base Unit (Regular)

HIP WIDTH	P/N
14"	KIR66100
14-1/2"	KIR66200
15"	KIR66300
15-1/2"	KIR66400
16"	KIR66500
17"	KIR66700

Seat covers are only available in black lightweight cloth (substitute 11 for 00 in seat part # for cover part #).

Seats are available in 6 widths and 3 different heights. To order a short version, add an "S" to the regular part #. To order a tall, add a "T". See measurements in the drawings above. The seat illustrated is a KIR66300 in short, regular, and tall.

## FULL CONTAINMENT LAYBACK (53 SERIES)

### 53000 Series

**DESIGNED FOR:**  
ASPHALT MODIFIED  
LATE MODELS  
ROAD RACING  
TRUCK SERIES



53 Series  
Base Unit



53 Series  
Shoulder Unit  
(shown with blue cover)



53 Series  
Standard Head Restraint Unit  
(shown with blue cover)



53 Series  
Regular Tubular Head Unit

The last two digits of the seat part number denotes the color. To order a specific cover, substitute the last two numerical digits of the seat number for one of the following:

### Short Seat Base Ribs are 1/2" lower

HIP WIDTH	P/N
14"	KIR53100-S
15"	KIR53300-S
16"	KIR53500-S
17"	KIR53700-S
18"	KIR53900-S

### Regular Seat Base

HIP WIDTH	P/N
14"	KIR53100
15"	KIR53300
16"	KIR53500
17"	KIR53700
18"	KIR53900

### Tall Seat Base Ribs are 1/2" higher

HIP WIDTH	P/N
14"	KIR53100-T
15"	KIR53300-T
16"	KIR53500-T
17"	KIR53700-T
18"	KIR53900-T

### Shoulder Restraint

SHOULDER WIDTH	P/N
18"	KIR53SD18
19"	KIR53SD19
20"	KIR53SD20
21"	KIR53SD21
22"	KIR53SD22
23"	KIR53SD23

### Head Restraint

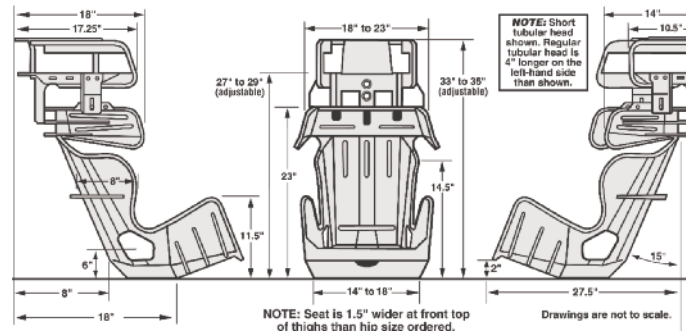
	P/N
Regular	KIR53H100
Short Left	KIR53H200

### Tubular Head Restraint

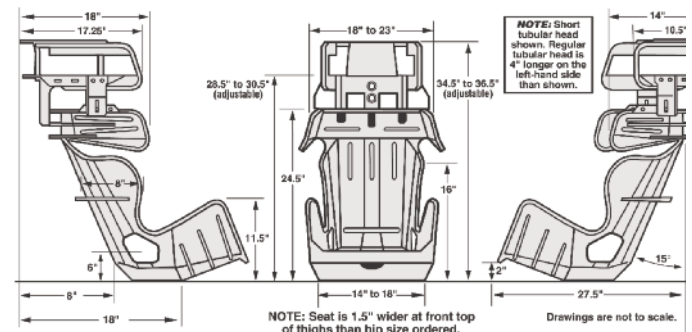
	P/N
Regular Tube	KIR53H300
Short Left Tube	KIR53H400

Three components are needed for a complete seat; the seat base, shoulder restraint and head restraint.

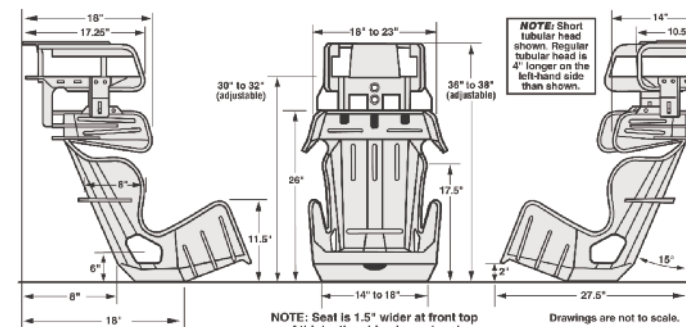
- Unique three-piece design makes modification possible.
- Integrated head and shoulder support system.
- Built to accommodate all head and neck restraint systems.
- Padded rib supports for driver comfort and extra support.
- Aluminum extrusion around perimeter of seat.
- Modular components held together with grade five hardware.



KIR53500-S (Short)



KIR53500 (Regular)



KIR53500-T (Tall)

### AIRKNIT COVERS

41 Black	42 Red
47 Grey	49 Blue