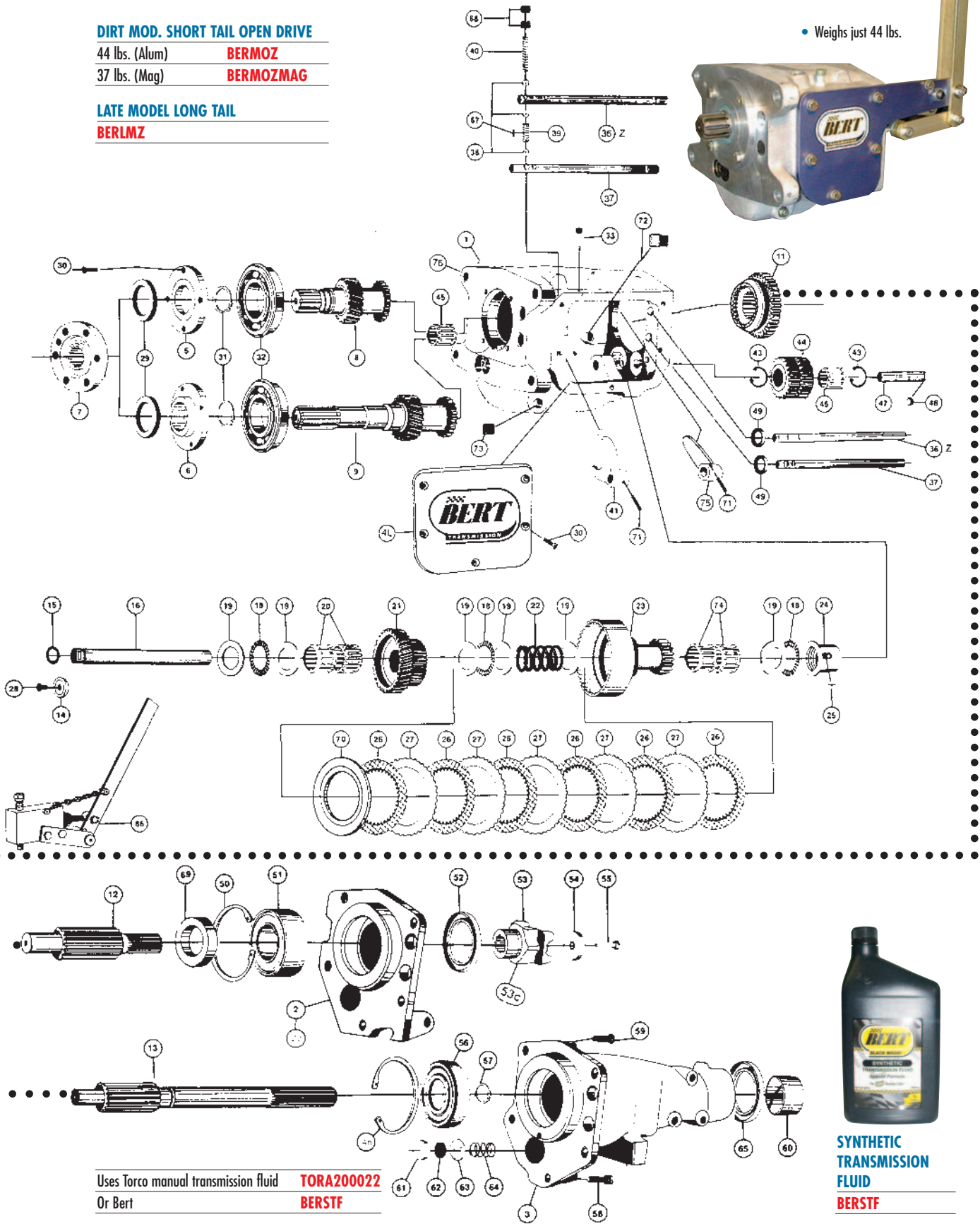
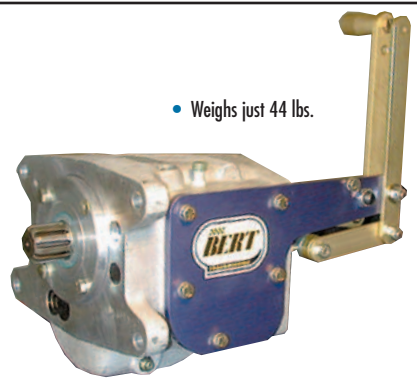


BERT TRANSMISSION

- DIRT MOD. SHORT TAIL OPEN DRIVE**
- 44 lbs. (Alum) **BERMOZ**
- 37 lbs. (Mag) **BERMOZMAG**

- LATE MODEL LONG TAIL**
- BERLMZ**

• Weighs just 44 lbs.



Uses Torco manual transmission fluid **TORA200022**
 Or Bert **BERSTF**



**SYNTHETIC
 TRANSMISSION
 FLUID
 BERTSF**

BERT TRANSMISSION PARTS LIST

FIG.	DESCRIPTION	P/N
1	Main casting	BER001
2	Rear cover (open drive)	BER002
2C	Rear cover (close drive)	BER002C
3	Tail housing (late model)	BER003
4L	Side cover (late model)	BER004L
4M	Side cover (modified)	BER004M
5	Front seal cover (short input)	BER005
6	Front seal cover (long input)	BER006
7	Drive Flange	BER371SM
8	Input shaft - modified	BER008Z
9	Input shaft - L,M,	BER009Z
11	Direct shaft	BER011Z
12	Output shaft - modified	BER012
13	Output shaft- late model	BER013
14	Counter shaft locking washer	BER014
15	O-ring	BER015
16	Counter shaft	BER016
18	Thrust needle roller	BER018
19	Thrust washer (A=.030", B=.060", C=.090")	BER019 (A,B,C)
20	Cage needle roller (3/4")	BER020
21	Front counter gear	BER021
22	Spring counter	BER022
23	Rear counter gear	BER023
24	Push sleeve	BER024
25	Push sleeve key	BER025
26	Clutch disc	BER026
27	Steel clutch disc	BER027
28	Button head screw 5/16" X 1/2"	BER028
29	Front oil seal	BER029
30	Bolt 5/16" X 1"	BER030
31	Snap ring	BER031
32	Front input bearing	BER032
33	Air vent	BER033
36	Low & direct shft. rod (*Z - dogtooth)	BER036Z
37	Reverse shifting rod	BER037
38	Detent ball	BER038

FIG.	DESCRIPTION	P/N
39	Detent spring	BER039
40	Detent spring	BER040
41	Shifting fork	BER041
43	Snap ring	BER043
44	Reverse idler gear	BER044
45	Cage needle bearing	BER045
46	Snap ring (late model)	BER046
47	Reverse idler shaft	BER047
48	Woodruff key	BER048
49	Seal	BER049
50	Snap ring (modified)	BER050
51	Output bearing (modified)	BER051
52	Rear oil seal	BER052
53	Yoke (open drive)	BER053
53C	Yoke (closed drive)	BER053C
54	Rear yoke washer	BER054
55	Bolt 3/8" nf x 1-1/4"	BER055
56	Output bearing (late model)	BER056
57	Snap ring (late model)	BER057
58	Hex socket cap screw 7/16" nc x 1	BER058
59	Cap screw 7/16" nc x 1	BER059
60	Extension bushing	BER060
61	Piston	BER061
62	Brake cup (1-3/8")	BER062
63	Brake cup extender	BER063
64	Spring	BER064
65	Rear oil seal	BER065
67	Interlock pin	BER067
68	Filling plug	BER068
69	Spacer	BER069
70	Clutch spacer	BER070
71	Fork retaining pin	BER071
72	Magnetic plug	BER072
73	Drain plug	BER073
74	Cage needle bearing (1")	BER074
75	Reverse shifting fork	BER075
76	Soft plug	BER076
77	Shifter detent ball (modified)	BER077

CAM Drive Parts



BBC CAM PLATE
BER315



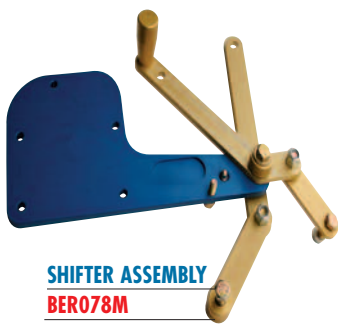
BBC CAM DRIVE
BER316



SBC CAM PLATE
BER319



PS PUMP DRIVE
BER321



SHIFTER ASSEMBLY
BER078M



MASTER CYLINDER
BRK15-1511



MASTER CYLINDER HANDLE
BRP4420-1



REVERSE LINK (SHIFTER)
BER078B



HANDLE (SHIFTER)
BRP907



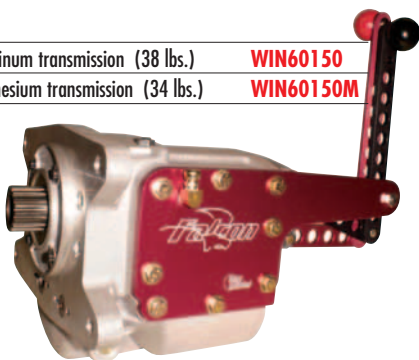
HOCKEY (SHIFTER)
BER080A



REVERSE (SHIFTER)
BER080B

WINTERS TRANSMISSION

Aluminum transmission (38 lbs.) **WIN60150**
Magnesium transmission (34 lbs.) **WIN60150M**



Yoke flange **WIN65856**
Front bearing **WIN67555**
Rear bearing **WIN67556**



FLYWHEEL LATE CHEVY, EXT BALANCED
WIN63844-18



GALLON "GEARS UNLIMITED" OIL
WIN61733



FLEXPLATE
WIN62479A



STEEL COUPLER (1.32 LBS)
WIN62348-18



ALUMINUM COUPLER (.48 LB)
BRP336



ALUM. CHEVY BELLHOUSING (10.35 LBS)
WIN62844