

# FRONT SPINDLES, HUBS & ACCESSORIES

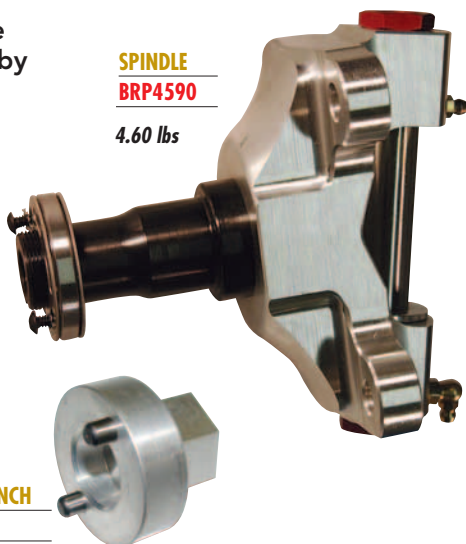


## FORD 10 DEGREE ALUMINUM STUBBY SPINDLE

Ford 10 Degree Aluminum Stubby .859" King Pin Diameter

**SPINDLE**  
**BRP4590**

4.60 lbs



*Comes complete with hollow king pin, caps, locking nut, and shim*

**SNOUT WRENCH**  
**BRP4584**

### DESCRIPTION

Aluminum spindle kit with gun drilled steel king pin, steel spindle snout, and locking nut

### P/N

**BRP4590**

Replacement snout and inner lock cap

**BRP4594**

Snout wrench

**BRP4584**

Replacement king pin with 2 end caps

**BRP841**

Replacement king pin cap (sold each)

**BRP841C**

(Optional titanium king pin)

**BRP841T**

Replacement cap for titanium king pin

**BRP841TC**

Ford king pin bushings (sold each)

**BRP842**

1/8" Aluminum spindle shim spacer

**BRP843**

Locking nut kit (sold each)

**BRP831L**

Wrench for BRP831

**BRP831W**

Aluminum spindle nut (use w/ BRP830 tab washer)

**BRP831A**

Steel spindle nut (use with BRP830 tab washer)

**BRP831**

Locking tab washer (use with BRP831 and 831A)

**BRP830**

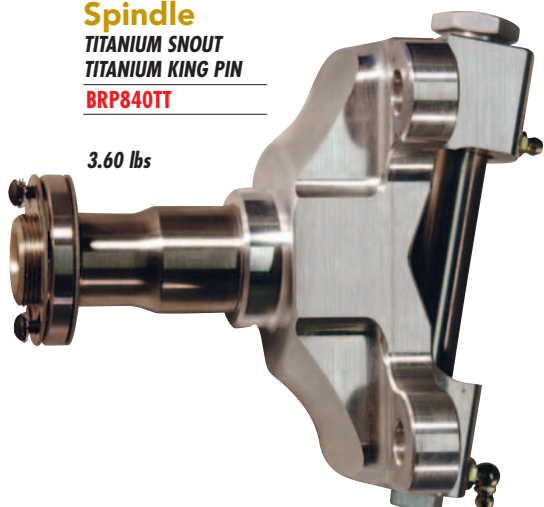
## FORD 10 DEGREE LIGHTWEIGHT SPINDLE

**Lightweight Spindle**

**TITANIUM SNOUT**  
**TITANIUM KING PIN**

**BRP840TT**

3.60 lbs



### DESCRIPTION

Aluminum spindle kit with gundrilled titanium king pin, titanium spindle snout and locking nut

### P/N

**BRP840TT**

Titanium king pin and caps

**BRP841T**

Replacement cap for titanium king pin (sold each)

**BRP841TC**

Ford king pin bushings (sold each)

**BRP842**

Replacement titanium spindle snout

**BRP839T**

1/8" aluminum spindle shim spacer

**BRP843**

Locking nut kit (sold each)

**BRP831L**

Wrench for BRP831L

**BRP831W**



**LOCK NUT ASSEMBLY**  
**BRP831L**



**SPINDLE NUT WRENCH**  
**BRP831W**



**FORD KING PIN DRIFT**  
**BRP847**

**WEAR SAFETY GLASSES**

## BRP WIDE 5 CONVERSION HUBS TO FORD SPINDLE



**BRP821**

*Inner & outer bearings, grease seal, wheel nuts sold separately*

- Machined from forged aluminum
- Saves weight over 6 pin - wheel adaptor set-up
- Comes with BRP832 dust cap, studs and races
- Same parts as 6 pin hub

When mounting a BRP821 hub & 11" rotor to a BRP4590 spindle, use a BRP8-2250 brake bracket for a Dynalite II caliper and a BRP18-2375 brake bracket for a Dynalite single caliper.

# FRONT SPINDLES, HUBS & ACCESSORIES

## ALUMINUM 6 PIN FRONT HUBS

### Modified 6 pin Hub Kit

1" Deep  
Hub Face



**KIT**  
**BRP824-1**

Kit includes: **BRP825-1, BRP828, BRP829, BRP832, BRP835, (3) BRP836.**

Hub includes Rotor Stands and Bolts

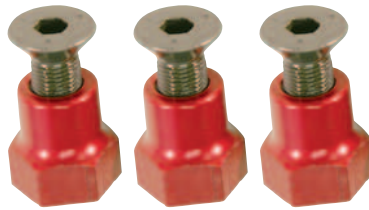
### Sprint Car Hub Kit

1-1/2" Deep  
Hub Face



**KIT**  
**BRP824**

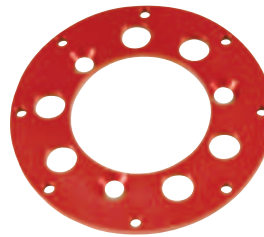
Kit Includes: **BRP825, BRP828, BRP829, BRP832, BRP835, (3) BRP836**



### Aluminum Rotor Stands & Bolts

**1-3/16" ROTOR STANDS (RED)**  
Set of 3 **BRP837**

**1-5/8" ROTOR STANDS (BLACK)**  
Set of 3 **BRP838**  
Replacement Bolt (sold each) **BOL081003F**



**ROTOR ADAPTER FOR 12" ROTOR - 8 ON 7**  
**BRP813**

(use with BRP18-1 caliper brackets)



**INNER SEAL**  
**BRP835**



**WRENCH FOR LOCKING (BRP831L) SPINDLE NUT**  
**BRP831W**

**REPLACEMENT 6 PIN STUD**  
**BRP833**

**JAM NUT FOR STUD**  
**BRP834**



**LOCKING NUT ASSEMBLY**  
**BRP831L**

**SLOTTED WASHER ONLY**  
**BRP831L2**



**ALUMINUM 6 PIN WHEEL NUTS**  
**BRP836**

DESCRIPTION	P/N
Standard sprint hub with studs and races	<b>BRP825</b>
Offset modified hub with studs and races	<b>BRP825-1</b>
Inner race	<b>BRP826</b>
Outer race	<b>BRP827</b>
Inner bearing	<b>BRP828</b>
Outer bearing	<b>BRP829</b>
Steel spindle nut*	<b>BRP830</b>
Aluminum spindle nut*	<b>BRP831A</b>
Aluminum locking spindle nut assembly	<b>BRP831L</b>
Slotted washer only	<b>BRP831L2</b>

\* Requires BRP830 Tab Washer

DESCRIPTION	P/N
Wrench for BRP831L spindle nut	<b>BRP831W</b>
Dust cap with O-ring	<b>BRP832</b>
Replacement O-ring for dust cap	<b>BRP832S</b>
5/8" C Wheel stud	<b>BRP833</b>
Titanium wheel stud 5/8" C	<b>BRP833T</b>
Jam nut for BRP833 wheel stud	<b>BRP834</b>
Inner hub seal	<b>BRP835</b>
5/8" C flat ended aluminum wheel nut (red)	<b>BRP836</b>
Rotor stand kit for BRP825 hub (red)	<b>BRP837</b>
Long rotor stand kit for BRP825-1 hub (black)	<b>BRP838</b>
Rotor bolt 1/2" x 1" flat head	<b>BOL081003F</b>

# FRONT SPINDLES, HUBS & ACCESSORIES



## LARGE BEARING MODIFIED SPINDLE PARTS



### Front Spindle & Parts

Spindle Includes	<b>BRP4588</b>
(1) BRP841, (2) BRP841C, (2) BRP842	
Kingpin	<b>BRP841</b>
Kingpin caps (sold each)	<b>BRP841C</b>
Kingpin bushing	<b>BRP842</b>



BRP6221      BERCTD-NYM-H01      WIN3266F

### Front Hubs

Magnesium Front Hub	<b>BRP6221</b>
Aluminum Front Hub	<b>BERCTD-NYM-H01</b>
Aluminum Front Hub	<b>WIN3266F</b>



### Snap Ring (inner seal)

**BRP6223**



### Hub Bearing (inner and outer)

**BRP6224**



### Bearing Race

**BRP6222**



### Hub Seal

**BRP6225**

### Steel Spindle Nut Only

**BRP6229**



### Locking Spindle Nut Assembly

**BRP6230**



### Spindle Dust Cover

**BRP6226**

**WIN3289**



(Comes with 5 bolts)

(Bolts not included)



### Adjuster Nut Wrench

**BRP6231**

## WIDE 5 HUBS



### WILWOOD Starlight "55" Wide 5 Racing Hubs

Front Hubs  
Starlite "55" Snap-Cap  
Front Hub with Hubcap,  
Standard Studs.

**WIL270-6735C**



### BRP Magnesium Wide 5 Hub

Magnesium  
wide 5 hub  
8 on 7" rotor bolt  
pattern  
5/8" drilled  
coarse studs

**BRP6200**



### WILWOOD Aluminum Hub

Standard aluminum  
wide 5 hub  
8 on 7" rotor bolt  
pattern  
5/8" coarse studs

**WIL270-1956C**



### WINTERS Aluminum Hub

Standard aluminum  
wide 5 hub  
8 on 7" rotor bolt  
pattern  
5/8" coarse studs

**WIN6690**



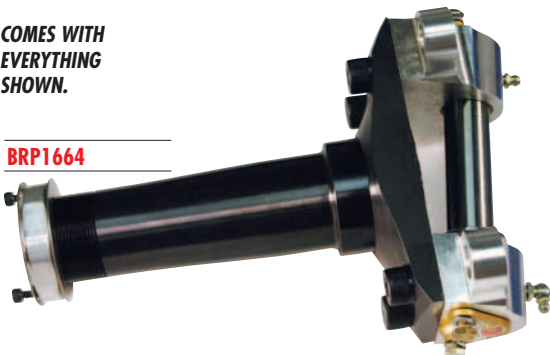
### Aluminum Dust Cover

**RED ANODIZED**  
**BRP119A**

## INTERNATIONAL STEEL SPINDLE

COMES WITH  
EVERYTHING  
SHOWN.

**BRP1664**



DESCRIPTION	P/N
Spindle kit with kingpin, spacer, & locking nut	<b>BRP1664</b>
Hollow replacement king pin (.988")	<b>BRP1660</b>
King pin cap (sold each)	<b>BRP1662</b>
Lower spindle boss	<b>BRP1669</b>
Upper spindle boss	<b>BRP1670</b>
Spindle and plate assembly	<b>BRP1671</b>
Spindle bolt (4 required)	<b>BRP1672</b>
King pin bushing (each)	<b>BRP1673</b>
1/8" aluminum spindle shim spacer	<b>BRP844</b>
Aluminum locking spindle nut kit	<b>BRP320</b>
Replacement washer for BRP320	<b>BRP320W</b>